

SmartStix™ Fieldbus I/O

Fieldbus I/O Less Than \$10 Per Point

SmartStix™ Fieldbus I/O is a new terminal-block style I/O for use with DeviceNet™ or PROFIBUS™ networks. SmartStix I/O can be used with a programmable controller, industrial computer, drive, or CE-based controller. Because SmartStix Fieldbus I/O connects to any DeviceNet or PROFIBUS network, it can be used alone or combined with other I/O to provide the most cost-effective I/O selection for the application. SmartStix Fieldbus I/O can cost less than \$10 (USD) per point...and includes bus connectors.

DeviceNet, PROFIBUS —You Choose

If you are already using or are planning to use a DeviceNet or PROFIBUS control network, consider SmartStix Fieldbus I/O. DeviceNet is an open fieldbus that can connect a variety of devices and controls on a single network, significantly reducing installation costs. PROFIBUS-DP is an open control network that allows a single method of connectivity for automation equipment and devices on a single network that also greatly reduces installation costs. Whether you choose DeviceNet or PROFIBUS, there is a SmartStix I/O family to meet your needs and budget.

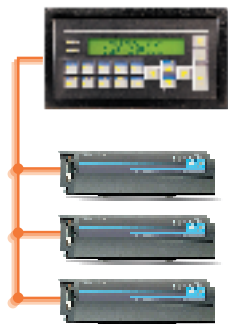
Compact, Rugged... Easy to Set Up

SmartStix Fieldbus I/O is extremely compact, providing 16 and 32 point digital I/O in a package only 1.5" (39mm) deep and a footprint of 2"H x 4.5"W (50 x 116mm) or 2"H x 7"W (50 x 177mm). With its small footprint, SmartStix Fieldbus I/O takes up very little panel space, whether located in the main control panel or tucked away in a remote location. SmartStix Fieldbus I/O has a barrier style terminal strip and can be mounted on a DIN-rail or directly to the panel. The module is designed for rugged environments, and it is easy to set up. Plus, removable terminals make field replacement fast and convenient.

Local or Distributed I/O

SmartStix Fieldbus I/O may be the answer to your local and remote I/O needs. SmartStix Fieldbus I/O connects to a wide variety of controller and computer DeviceNet or PROFIBUS Masters. Use it as your only I/O system or supplement your existing I/O system. With its compact design, SmartStix Fieldbus I/O can fit in the smallest areas in your panel, and since it's a fieldbus I/O, it can also be a cost-effective distributed I/O.

SmartStix Fieldbus I/O Application Examples



Operator Control Station (OCS)
with SmartStix Fieldbus I/O
on DeviceNet* or PROFIBUS** network



Programmable Controller (PLC)
with SmartStix Fieldbus I/O
on DeviceNet or PROFIBUS network



Industrial Computer/CE-based Controller
with SmartStix Fieldbus I/O
on DeviceNet or PROFIBUS network



DeviceNet or
PROFIBUS

Electronic
Short-Circuit
Protection
(ESCP)

Removable
Terminals

ODVA Certified

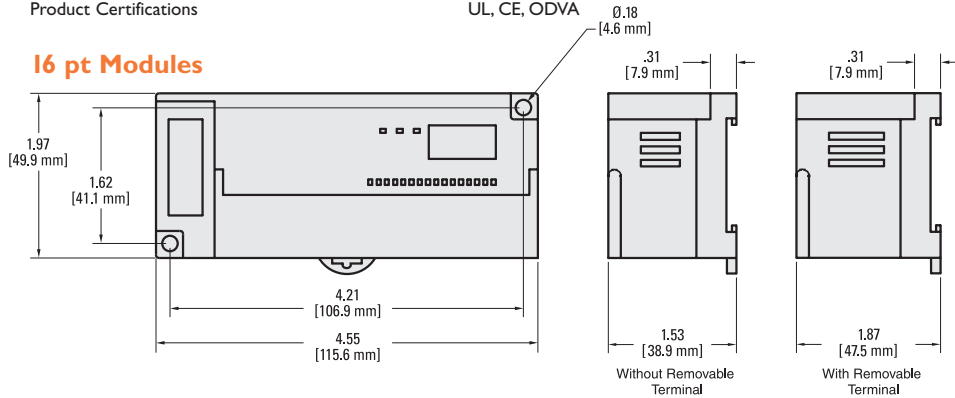
* Requires HE800DNM650 DeviceNet Master SmartStack Module.

** Requires HE800PBM650 PROFIBUS Master SmartStack Module.

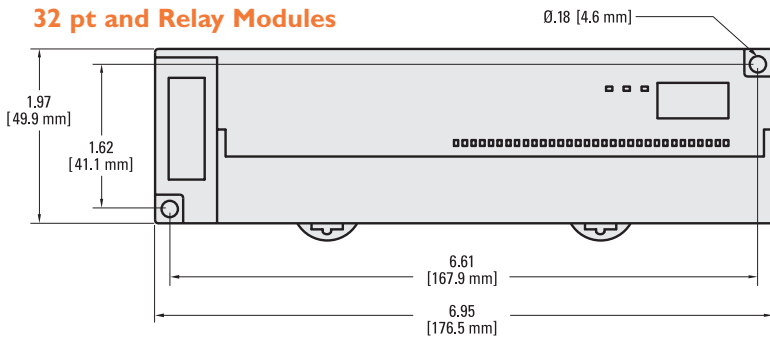
Specifications

Item	SmartStix™ Fieldbus I/O Specification
Bus Protocol	DeviceNet or PROFIBUS-DP
Bus Connector	DeviceNet: 5-position terminal; PROFIBUS: 9-pin D-sub connector (included)
Maximum Distance	DeviceNet: up to 500m; PROFIBUS: up to 1.2km
Maximum Number of Modules/Network	DeviceNet: 63; PROFIBUS: 32/segment
Module Configuration Method	Module ID set using two rotary switches
LED Indication	I/O Status (one per point), Power, Module Status, Network Status
Output Protection	Electronic Short-Circuit Protection (16 and 32 Output modules only)
Product Certifications	UL, CE, ODVA

16 pt Modules



32 pt and Relay Modules



Part Numbers Description

DeviceNet Modules	(includes bus connector)	
Fixed Terminals	Removable Terminals	

Part Number	Description	Notes
HE400DIM610	HE409DIM610	16 DC Inputs (24vdc, pos/neg logic)
HE400DIM710	HE409DIM710	32 DC Inputs (24vdc, pos/neg logic)
HE400DQM601	HE409DQM601	16 DC Outputs (24vdc, neg logic, 0.5A)
HE400DQM606	HE409DQM606	16 DC Outputs (24vdc, pos logic, 0.5A)
HE400DQM701	HE409DQM701	32 DC Outputs (24vdc, neg logic, 0.5A)
HE400DQM706	HE409DQM706	32 DC Outputs (24vdc, pos logic, 0.5A)
HE400DQM602	HE409DQM602	16 Relay Outputs (250vac, 30vdc, 2.0A)
HE400DIQ811	HE409DIQ811	16 DC Inputs (24vdc, pos/neg logic) and 16 DC Outputs (24vdc, neg logic, 0.1A, ESCP not available)

Analog

Part Number	Description	Notes
HE409ADC970	HE409ADC970	12 channel Analog Inputs (current and voltage)
HE409DAC207	HE409DAC207	8 channel Analog Outputs (current and voltage)
HE409MIX577	HE409MIX577	4 channel In/2 channel Out (current and voltage)
HE409MIX977	HE409MIX977	8 channel In/4 channel Out (current and voltage)

PROFIBUS Modules (includes bus connector)

Fixed Terminals	Removable Terminals	
-----------------	---------------------	--

Part Number	Description	Notes
HE450DIM610	HE459DIM610	16 DC Inputs (24vdc, pos/neg logic)
HE450DIM710	HE459DIM710	32 DC Inputs (24vdc, pos/neg logic)
HE450DQM601	HE459DQM601	16 DC Outputs (24vdc, neg logic, 0.5A)
HE450DQM606	HE459DQM606	16 DC Outputs (24vdc, pos logic, 0.5A)
HE450DQM701	HE459DQM701	32 DC Outputs (24vdc, neg logic, 0.5A)
HE450DQM706	HE459DQM706	32 DC Outputs (24vdc, pos logic, 0.5A)
HE450DQM602	HE459DQM602	16 Relay Outputs (250vac, 30vdc, 2.0A)
HE450DIQ811	HE459DIQ811	16 DC Inputs (24vdc, pos/neg logic) and 16 DC Outputs (24vdc, neg logic, 0.1A, ESCP not available)

Analog

Part Number	Description	Notes
HE459ADC970	HE459ADC970	12 channel Analog Inputs (current and voltage)
HE459DAC207	HE459DAC207	8 channel Analog Outputs (current and voltage)
HE459MIX577	HE459MIX577	4 channel In/2 channel Out (current and voltage)
HE459MIX977	HE459MIX977	8 channel In/4 channel Out (current and voltage)

Horner APG

USA 877-665-5666
Europe (+353) 21-4321266

www.heapg.com

Windows CE is a registered trademark of Microsoft Corporation.
DeviceNet is a registered trademark of ODVA (Open DeviceNet Vendors Association).
PROFIBUS-DP is a registered trademark of Siemens AG.
Cscape, SmartStack, SmartStix, SmartLnx, and CsCAN are registered trademarks of Horner APG, LLC.
© 2004 Horner APG, LLC

Electronic Short-Circuit Protection

Local or Remote

Expansion I/O, Only I/O

Bus Connector Included



32 pt DeviceNet Module (Includes Connector)



PROFIBUS D-Sub Connector Kit Included