

LX Touchscreen OCS

New, Low-cost, High-Performance Touchscreens

The LX280 monochrome and LX300 STN color models are the newest, low-cost touchscreens added to the extensive OCS product line. OCS (Operator Control Station) is a robust, reliable control product that combines a traditional controller...programmed in ladder logic...display, I/O interface and networking into an integrated, all-in-one unit using a single software package.

One of our fastest OCS, the LX models have a 0.20mS/K typical scan rate, and a large memory capacity...supporting logic programs up to 128K logic and 32K of battery-backed registers. Best of all, the LX models offer a performance level previously unattained by competitive products in its price class (starting under \$800).

Bright Screen Display and Compact Size

Using STN LCD technology, the LX models offer integrated, bright displays. The LX280 screen features eight shades of gray, while the LX300 supports 16 different colors. Both models provide far more visual readability than competing low-cost blue screen and STN color LCDs. Plus, the LX280 and LX300 are compact, measuring 7" W x 5.5" H x 2" D. This gives the added advantage of being a viable, low-cost solution for machines with small panel areas.

High Speed CsCAN Network for I/O

I/O connects to the LX models using an onboard CsCAN port...CsCAN is a reliable, high-speed network for I/O and control. Users have a choice of two different I/O products with the LX. They can opt for SmartStix™ I/O (which is DIN-rail mounted, terminal block style I/O), or SmartStack™ I/O (which "stacks" on bases). Or, use both types of I/O...and choose from over 70 I/O modules. In addition, the LX can address an impressive 2048 digital in, 2048 digital out, 512 analog in and 512 analog out I/O points.



I/O Options: LX controllers can support both SmartStix I/O (DIN-rail mounted) or SmartStack I/O (stacked on bases). Supports 4096 digital and 1024 analog points.



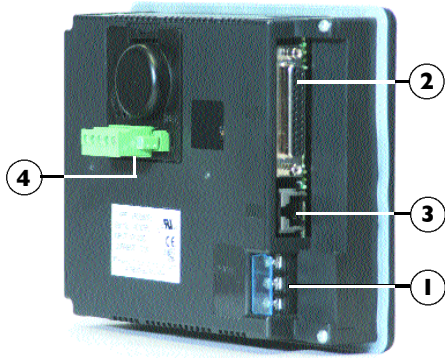
LX280 Grayscale Touchscreen OCS

Under \$800

Color and Monochrome

High-Speed CsCAN Network for I/O

Supports 3rd Party PLC & Drive Protocols



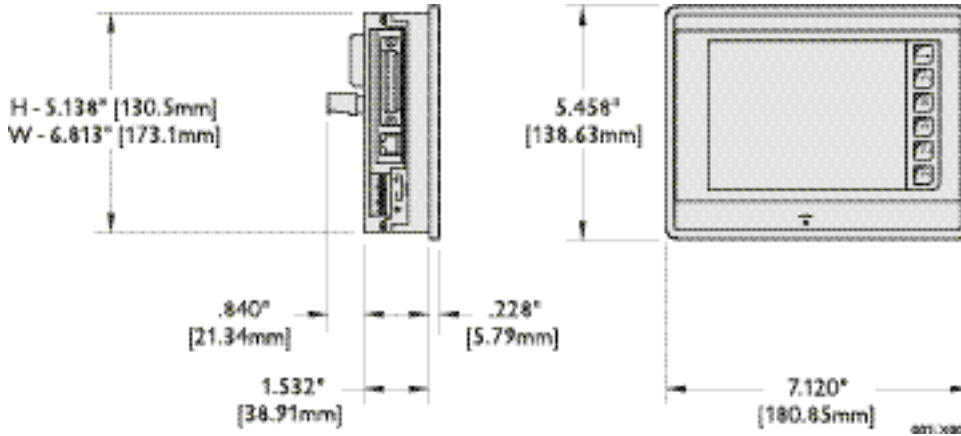
1	24vdc Power Supply Terminal
2	RS-232/RS-485 communications port with full handshaking
3	RS-232/RS-485 programming and communications port (no h/s)
4	CsCAN I/O Network Port

Two I/O Options

Many I/O Types

Compact
2" Depth

All-in-one
Controller



Part Number Description

HELX280C100	5.7 1/4 VGA STN Mono LX Operator Control Station with CsCAN network
HELX280	5.7 1/4 VGA STN Mono LX Operator Control Station without CsCAN network
HELX300C100	5.7 1/4 VGA STN Color LX Operator Control Station with CsCAN network
HELX300	5.7 1/4 VGA STN Color LX Operator Control Station without CsCAN network
HE800RCS116	CsCAN Network Expansion Base for SmartStack I/O (metal cases only)

Specifications

Specification	LX280	LX300
Application Programming Environment	Cscape (ladder logic plus screen development)	
Ladder Logic Memory	128KBytes	
Register (Reference) Memory	32KBytes	
Logic Scan Rate	0.20mS/K (typical)*	
Display Technology	STN grayscale LCD (8 shades)	STN color LCD (16 colors)
Display Size (Resolution)	5.7" (320 x 240 pixels)	
Touchscreen Resolution and Type	1024 x 1024 Analog Resistance Film Type	
Screen Update Rate	Selectable 2-50mS	
Application Memory – Graphics	1MByte	
Networking (I/O Support)	CsCAN (SmartStix and SmartStack I/O)	
Power Requirements	24vdc (+/-10%) @ 10W or less	
Operating Temperature (Wash Down Rating)	0-50C (NEMA 4/4X/12, IP65)	
Product Certifications	UL Class I, Division II and C-UL Listed, CE Marked	



LX300 Color Touchscreen OCS

*Total ladder scan is impacted by logic update, I/O update, and screen update.

Horner APG

USA 877-665-5666 or 317-916-4274
Europe (+353) 21-4 321266

www.hornerOCS.com

Cscape, SmartStack, SmartStix, and CsCAN are registered trademarks of Horner APG, LLC
©2005 Horner APG, LLC

PS/6-30-05

